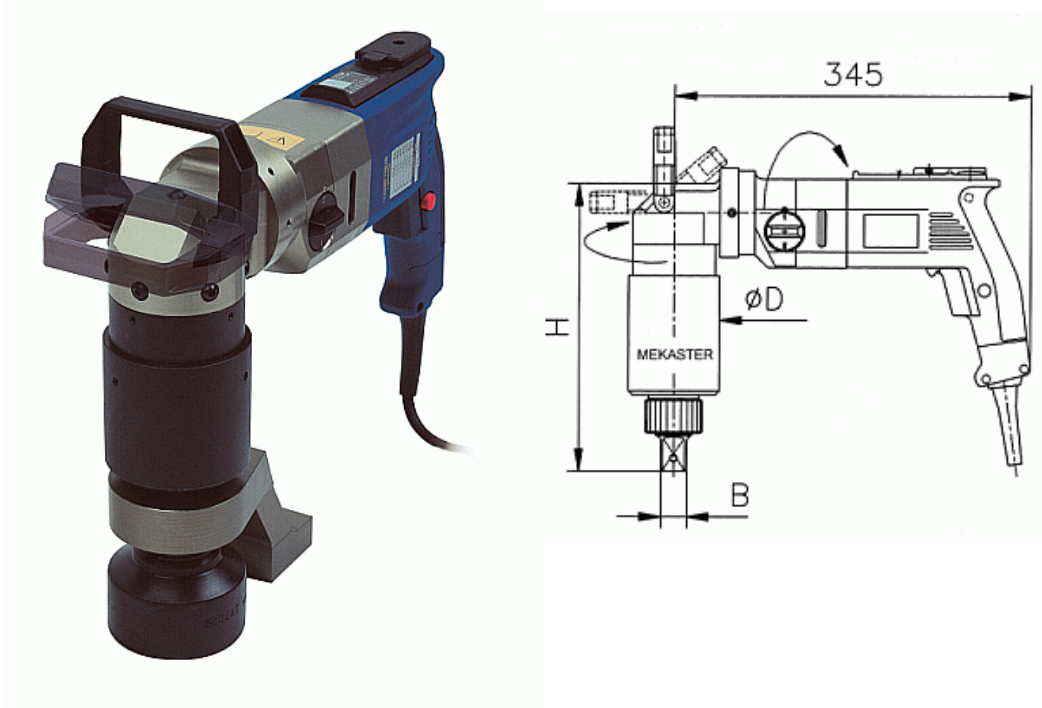




# MEKASTER Electronic Angled Torque Wrench

- Uniquely adjustable in all directions
- Cracks the most difficult tightening and loosening problems from 100 up to 13000 Nm in confined spaces.



## Specification

## Dimensions in mm

MODELS		LEW-05	LEW-075	LEW-10	LEW-16	LEW-28	LEW-40	LEW-60	LEW-70	LEW-95	LEW-120
Min. Torque*	Nm	90	100	200	300	500	750	1000	1200	2000	3000
Max. Torque**	Nm	500	770	1000	1600	2800	4000	6000	7500	9500	13000
Idle rotational speed n2	1/min	40	22	20	15	5	4	3,5	3	2,5	1,5
Square drive	B	3/4"	3/4"	1"	1"	1"	1 1/2"	1 1/2"	1 1/2"	1 1/2"	1 1/2"
Max. Diameter	D	80	80	88	88	88	88	102	128	138	174
Height incl. square drive	H	180	220	240	240	270	280	290	520	320	330
Weight incl. support***	kg	6.9	7.5	9.6	9.7	10.6	12.3	13.2	20.2	20.5	30.5

\*\* Lowest torque in second gear.

\*\* Maximum torque in first gear.

\*\*\*\* Light Weight Reaction supports also available.

EU. Origin