



Plain Ram (Load Assisted – Tension Spring Return) Capacity 05 to 50 Tonnes

Maximum Operating working Pressure 10,000 psi/700 Bar

Design pressure 700 bars.

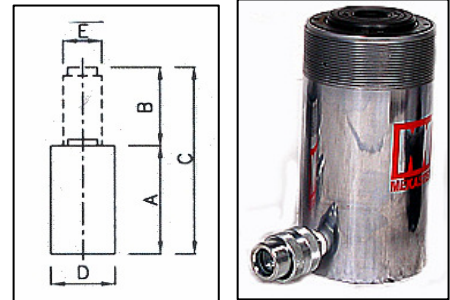
Alloy steel hydraulic cylinder - hardened & tempered, hard chrome plated & honed to fine finish.

Alloy steel piston – hardened & tempered, hard chrome plated, ground.

End Connection 3/8" NPT female (coupler half female optional extra)

Specified shut height & stroke controlled within +/- 3mm

Specification



Model	Cylinder capacity (Tonnes)	Stroke (mm)	Closed Height (mm)	Extended Height (mm)	Cylinder OD (mm)	Ram Dia (mm)	Saddle Dia (mm)	Oil Capacity (cc)	Wt. (Approx.) (Kg)	Suitable Pump	Complete Set
MPRJ-5/05C	5	50	140	190	40	25	23	31	1	MHHP-91	MPRJ-5/05P
MPRJ-5/10C	5	100	190	290	40	25	23	62	2	MHHP-91	MPRJ-5/10P
MPRJ-5/15C	5	150	240	390	40	25	23	93	2	MHHP-91	MPRJ-5/15P
MPRJ-10/05C	10	50	140	190	60	35	33	80	3	MHHP-91	MPRJ-10/05P
MPRJ-10/10C	10	100	190	290	60	35	33	159	4	MHHP-91	MPRJ-10/10P
MPRJ-10/15C	10	150	240	390	60	35	33	239	5	MHHP-91	MPRJ-10/15P
MPRJ-10/20C	10	200	290	490	60	35	33	318	6	MHHP-91	MPRJ-10/20P
MPRJ-15/05C	15	50	150	200	70	45	43	119	4	MHHP-91	MPRJ-15/05P
MPRJ-15/10C	15	100	200	300	70	45	43	238	6	MHHP-91	MPRJ-15/10P
MPRJ-15/15C	15	150	250	400	70	45	43	357	7	MHHP-91	MPRJ-15/15P
MPRJ-15/20C	15	200	300	500	70	45	43	476	8	MHHP-91	MPRJ-15/20P
MPRJ-20/05C	20	50	155	205	80	50	48	156	6	MHHP-91	MPRJ-20/05P
MPRJ-20/10C	20	100	205	305	80	50	48	312	7	MHHP-91	MPRJ-20/10P
MPRJ-20/15C	20	150	255	405	80	50	48	468	9	MHHP-91	MPRJ-20/15P
MPRJ-20/20C	20	200	305	505	80	50	48	624	10	MHHP-151	MPRJ-20/20P
MPRJ-25/05C	25	50	170	220	90	55	52	193	8	MHHP-91	MPRJ-25/05P
MPRJ-25/10C	25	100	220	320	90	55	52	385	10	MHHP-91	MPRJ-25/10P
MPRJ-25/15C	25	150	270	420	90	55	52	578	12	MHHP-91	MPRJ-25/15P
MPRJ-25/20C	25	200	320	520	90	55	52	770	14	MHHP-151	MPRJ-25/20P
MPRJ-30/05C	30	50	180	230	100	60	57	221	11	MHHP-91	MPRJ-30/05P
MPRJ-30/10C	30	100	230	330	100	60	57	442	13	MHHP-91	MPRJ-30/10P
MPRJ-30/15C	30	150	280	430	100	60	57	663	16	MHHP-151	MPRJ-30/15P
MPRJ-30/20C	30	200	330	530	100	60	57	884	18	MHHP-151	MPRJ-30/20P
MPRJ-50/05C	50	50	190	240	130	60	77	393	19	MHHP-91	MPRJ-50/05P
MPRJ-50/10C	50	100	240	340	130	60	77	785	23	MHHP-151	MPRJ-50/10P
MPRJ-50/15C	50	150	290	440	130	60	77	1178	27	MHHP-202	MPRJ-50/15P
MPRJ-50/20C	50	200	340	540	130	60	77	1570	32	MHHP-402	MPRJ-50/20P

HYDRAULIC HAND PUMP

Hydraulic hand pump with heavy-duty construction with hardened and ground piston, renewable suction, delivery relief and release valve parts.

Usable displacement/stroke at rated pressure 2.8cc.

Integral reservoir of adequate oil capacity.

Automatic safety valve to cut the pressure at set pressure.

Provision to connect pressure gauge, if required.

Hand Pump Specification

MHHP-91- Single speed, discharge/stroke 2.8cc, total reservoir capacity 1.8 liters, usable capacity 1 liters approx.

MHHP-151- Single speed, stroke 2.8cc, total reservoir capacity 2.2 liters, usable capacity 1.8 liters approx.

MHHP-202- Two stage, output/stroke up to 30 bar 53 cc, output/stroke above 30 bar 2.8cc, total reservoir capacity 3 liter, usable capacity 2 liter approx.

MHHP-402- Two stage, output/stroke up to 30 bar 53 cc, output/stroke above 30 bar 2.8cc, total reservoir capacity 5 liter, usable capacity 3.5 liter approx.



HYDRAULIC HOSE

Industrial multilayer hose with 700-bar Maximum Working Pressure with 3/8" NPT Male connection at both end along with spring guards. Burst pressure tested to 1500 bars minimum.

PRESSURE GAUGE

Pressure Gauge 0-980 Bar glycerine filled with stand pipe with end fittings

All the hoses & quick coupler are of the European origin.



Plain Ram (Load Assisted – Tension Spring Return) Capacity 75 to 250 Tonnes

Maximum Operating working Pressure 10,000 psi/700 Bar

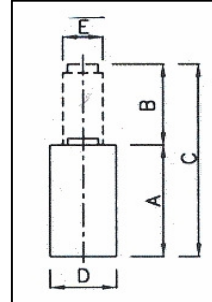
Design pressure 700 bars.

Alloy steel hydraulic cylinder - hardened & tempered, hard chrome plated & honed to fine finish.

Alloy steel piston – hardened & tempered, hard chrome plated, ground.

End Connection 3/8" NPT female (coupler half female optional extra)

Specified shut height & stroke controlled within +/- 3mm



Specification

Model	Cylinder capacity (Tonnes)	Stroke (mm)	Closed Height (mm)	Extended Height (mm)	Cylinder OD (mm)	Ram Dia (mm)	Saddle Dia (mm)	Oil Capacity (cc)	Wt. (Approx.) (Kg)	Suitable Pump	Complete Set
MPRJ-75/05C	75	50	195	245	155	95	92	566	28	MHHP-91	MPRJ-75/05P
MPRJ-75/10C	75	100	245	345	155	95	92	1131	34	MHHP-151	MPRJ-75/10P
MPRJ-75/15C	75	150	295	445	155	95	92	1697	40	MHHP-202	MPRJ-75/15P
MPRJ-75/20C	75	200	345	545	155	95	92	2262	45	MHHP-402	MPRJ-75/20P
MPRJ-100/05C	100	50	215	265	175	110	107	770	39	MHHP-151	MPRJ-100/05P
MPRJ-100/10C	100	100	265	365	175	110	107	1539	46	MHHP-202	MPRJ-100/10P
MPRJ-100/15C	100	150	315	465	175	110	107	2309	54	MHHP-402	MPRJ-100/15P
MPRJ-100/20C	100	200	365	565	175	110	107	3078	61	MHHP-402	MPRJ-100/20P
MPRJ-150/05C	150	50	225	275	220	140	137	1135	66	MHHP-202	MPRJ-150/05P
MPRJ-150/10C	150	100	275	375	220	140	137	2270	78	MHHP-402	MPRJ-150/10P
MPRJ-150/15C	150	150	325	475	220	140	137	3405	90	MHHP-502	MPRJ-150/15P
MPRJ-200/05C	200	50	240	290	255	160	157	1571	94	MHHP-202	MPRJ-200/05P
MPRJ-200/10C	200	100	290	390	255	160	157	3142	110	MHHP-502	MPRJ-200/10P
MPRJ-200/15C	200	150	340	490	255	160	157	4713	126	MHHP-502	MPRJ-200/15P
MPRJ-250/10C	250	100	295	395	280	180	177	3801	136	MHHP-502	MPRJ-250/10P
MPRJ-250/15C	250	150	345	495	280	180	177	5702	155	MHHP-1002	MPRJ-250/15P
MPRJ-300/10C	300	100	305	405	310	200	196	4524	174	MHHP-1002	MPRJ-300/10P
MPRJ-300/15C	300	150	355	505	310	200	196	6786	198	MHHP-1002	MPRJ-300/15P

HYDRAULIC HAND PUMP

Hydraulic hand pump with heavy-duty construction with hardened and ground piston, renewable suction, delivery relief and release valve parts.

Usable displacement/stroke at rated pressure 2.8cc.

Integral reservoir of adequate oil capacity.

Automatic safety valve to cut the pressure at set pressure.

Provision to connect pressure gauge, if required.

Hand Pump Specification

MHHP-91- Single speed, discharge/stroke 2.8cc, total reservoir capacity 1.8 liters, usable capacity 1 liter approx.

MHHP-151-Single speed, stroke 2.8cc, total reservoir capacity 2.2 liters, usable capacity 1.8 liter approx.

MHHP-202-Two stage, output/stroke up to 30 bar 53 cc, output/stroke above 30 bar 2.8cc, total reservoir capacity 3 liter, usable capacity 2 liter approx.

MHHP-402-Two stage, output/stroke up to 30 bar 53 cc, output/stroke above 30 bar 2.8cc, total reservoir capacity 5 liter, usable capacity 3.5 liter approx.

MHHP-502-Two stage, output/stroke up to 30 bar 53 cc, output/stroke above 30 bar 2.8cc, total reservoir capacity 8 liter, usable capacity 5 liter approx.

MHHP-1002- Two stage, output/stroke up to 30 bar 53 cc, output/stroke above 30 bar 2.8cc, total reservoir capacity 13 liter, usable capacity 10.0 liter approx.

www.mekastertools.com



HYDRAULIC HOSE

Industrial multilayer hose with 700-bar Maximum Working Pressure with 3/8" NPT Male connection at both end along with spring guards. Burst pressure tested to 1500 bars minimum.

PRESSURE GAUGE

Pressure Gauge 0-980 Bar glycerine filled with stand pipe with end fittings

All the hoses & quick coupler are of the European origin.

NOTE: Design Subject to revision due to constant improvement